

The Premier series of benchtop vacuum packaging machines offers the ultimate in vacuum sealing technology all incorporated as standard into one unit.

STANDARD FEATURES

- Stainless steel housing and deep-drawn vacuum chamber for optimal hygiene
- Removable wireless sealing bar
- Insert plates for adjusting vacuum chamber height
- Vacuum - Optimal final vacuum 99.80% (2 mbar)
- Gas-flush - Injecting food-gas for product protection and longer shelf life
- Soft-air - Controlled ventilation for protection of product and packaging
- 2 x 3.5mm seal wires for an extra-strong double seal
- Sensor Control - Set percentage pressure for vacuum and gas functions for accurate and constant packaging results / Automatic programming / 10 default programs / Vacuum plus time / Liquid Control
- STOP button for partial/full cycle interruption
- Digital maintenance program for pump / Operating hours counter / Service indicator programs / Sleeper function etc
- Service kit for user maintenance

OPTIONAL FEATURES

- Inclined insert plate for packing liquid products
- Trolleys with 3 shelves and lockable castors



DIMENSIONS

External dimensions: 700W x 530D x 440H mm

Chamber: 520W x 410D x 185H mm

Sealing Bar: 2 x 410mm

TECHNICAL DATA

Power supply: 240V, 50Hz, Single Phase

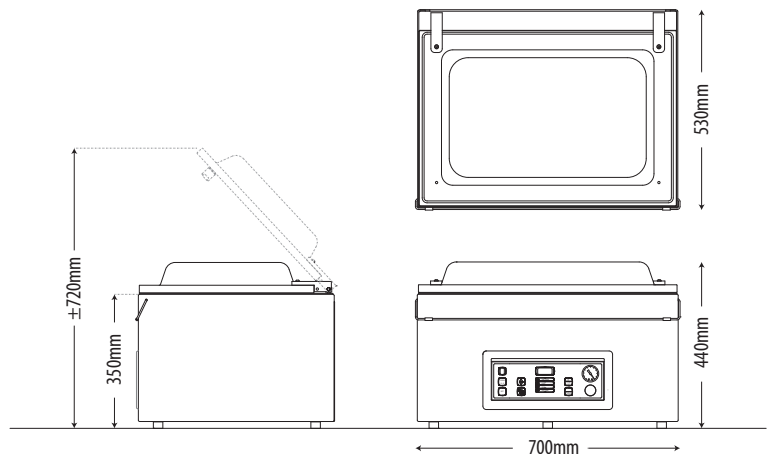
Power output: 1.0kW

Capacity pump: 21 m³/h

Machine cycle: 15-35 seconds

Weight: 66kg

SPECIFICATIONS ARE SUBJECT TO CHANGE WITHOUT NOTICE.



Busch vacuum pumps, world leaders in vacuum pump technology.



Two years parts & labour warranty



National Head Office
156 Swann Drive
Derrimut VIC 3030
Tel: +61 3 8369 4600
Fax: +61 3 8369 4699
www.comcater.com.au

Melbourne
96-100 Tope Street
South Melbourne VIC 3205
Tel: +61 3 8369 4600
Fax: +61 3 8699 1299

Sydney
20/4 Avenue of the Americas
Newington, NSW 2127
Tel: +61 2 9748 3000
Fax: +61 2 9648 4762

Brisbane
1/62 Borthwick Avenue
Murarrie QLD 4172
Tel: +61 7 3399 3122
Fax: +61 7 3399 5311

Perth
Unit 16, 7 Abrams Street
Balcatta, WA 6021
Tel: +61 8 6217 0700
Fax: +61 8 6217 0799