

## Contact Grill W.CT8 / W.CT8R

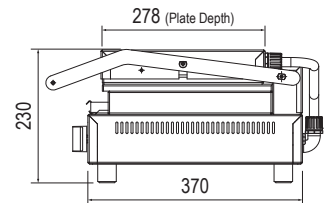
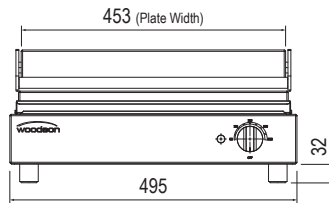
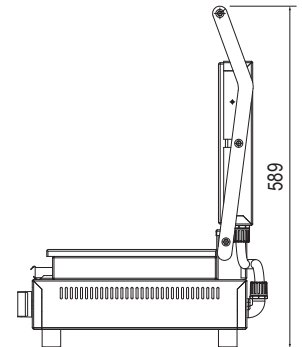
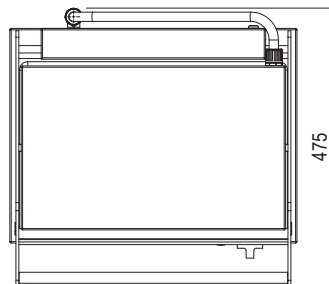


### Product Information:

- Spring balanced upper plate limits crushing of product
- Smooth finish aluminium plates or ribbed top plate
- Removable grease tray to front
- Thermostat control, 50°C- 250°C
- Complete stainless steel body & arms
- Easy clean design with fully enclosed lifting assembly
- 12mm aluminium plate

### Specifications:

Model	W.CT8 / W.CT8.R
W x D x H (mm)	495 x 475 x 230
Cooking Area W x D (mm)	353 x 278
Capacity	6-8 Slices
Weight	25kg
Electrical Connection	2.2kW 10A plug & lead fitted



Due to continuous product research and development, the information contained herein is subject to change without notice.

Revision: C - 02/06/2022 - 03

[www.stoddart.com.au](http://www.stoddart.com.au)

[www.stoddart.co.nz](http://www.stoddart.co.nz)