

## Pro Series Computer Controlled Contact Toaster W.GPC61SC / W.GPC61SC.R.A

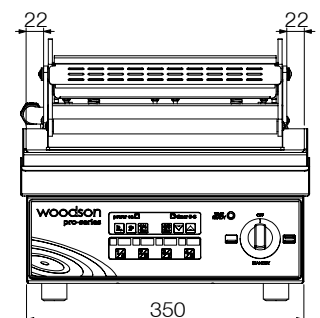
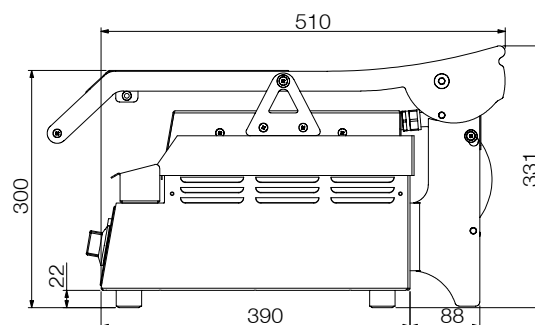
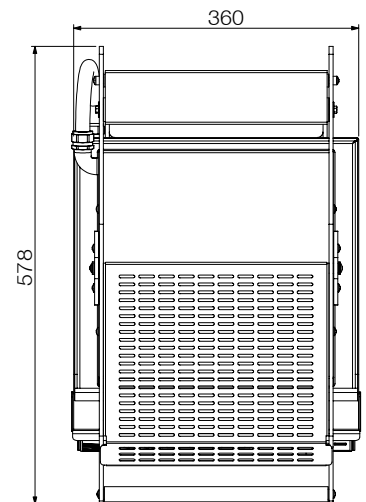
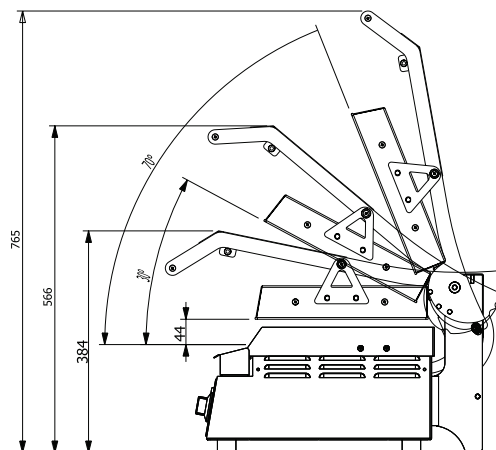


### Product Information:

- Computer controlled single piece stainless steel lower plate with upstand
- Easily removed protective heat shield for increased operator safety
- LED timer display with 8 programmable settings
- Single top plate (300 x 300mm)
- Bottom plate (345 x 310mm)
- 3 mode operation - Both plates, bottom plate only, & standby
- Concealed adjustable thermostat control, preset at 210°C
- Gas strut assisted top plate for easy operation and controlled weight to product
- Anodised Ribbed top plate model available (**W.GPC61SC.R.A**)
- Eight programmable timer settings with one touch operation to achieve consistent results
- Optional Teflon sheet & clamping system available

### Specifications:

<b>Model</b>	<b>W.GPC61SC</b> <b>W.GPC61SC.R.A</b>
<b>Height</b>	331mm
<b>Width</b>	360mm
<b>Depth</b>	578mm
<b>Power</b>	2.2kW 10A plug & lead fitted



Due to continuous product research and development, the information contained herein is subject to change without notice.

Revision: D - 25/05/2022 - 01

[www.stoddart.com.au](http://www.stoddart.com.au)  
[www.stoddart.co.nz](http://www.stoddart.co.nz)