

## Modular Cooking Range Line EVO700 2-Hot Plates Electric Boiling Top Range

ITEM # \_\_\_\_\_

MODEL # \_\_\_\_\_

NAME # \_\_\_\_\_

SIS # \_\_\_\_\_

AIA # \_\_\_\_\_



372014 (Z7ECED2R00) 2-hot plate (2,6 kW each)  
electric boiling top

372126 (Z7ECED2R0N) 2-hot plate (2,6 kW each)  
electric boiling top

### Short Form Specification

Item No. \_\_\_\_\_

To be installed on open base installations, bridging supports or cantilever systems. Two 2.6 kW cast-iron hot plates hermetically sealed to the one-piece top. Exterior panels in stainless steel with Scotch Brite finish. One piece pressed work top in 1.5 mm thick stainless steel. Right-angled side edges to allow flush-fitting junction between units.

### Main Features

- Unit to be mounted on open base cupboards, bridging supports or cantilever systems.
- The two 2.6kW cast-iron plates are hermetically sealed to the one-piece top.
- The special design of the control knob system guarantees against water infiltration.
- IPX 4 water protection.

### Construction

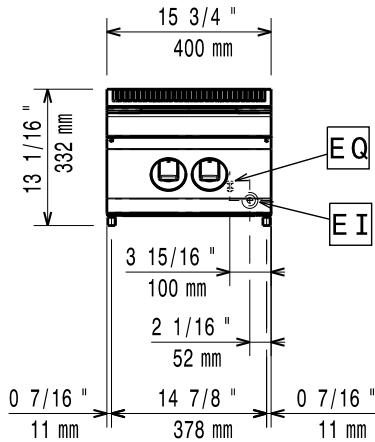
- One piece pressed 1.5 mm work top in Stainless steel.
- Model has right-angled side edges to allow flush fitting joints between units, eliminating gaps and possible dirt traps.
- External panel in Stainless Steel with Scotch Brite finish.

APPROVAL: \_\_\_\_\_

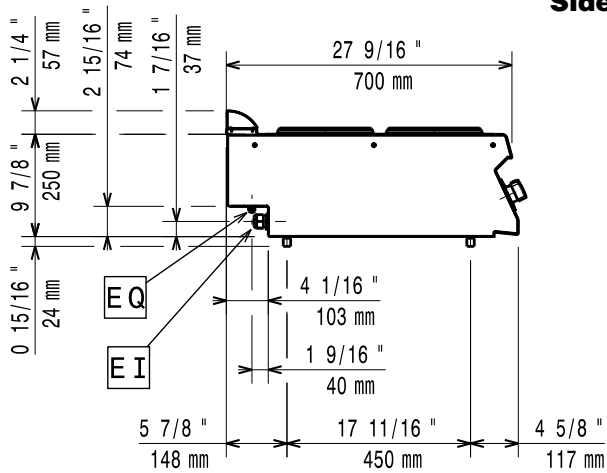
### Optional Accessories

- Junction sealing kit PNC 206086
- Support for bridge type installation, 800 mm PNC 206137
- Support for bridge type installation, 1000 mm PNC 206138
- Support for bridge type installation, 1200 mm PNC 206139
- Support for bridge type installation, 1400 mm PNC 206140
- Support for bridge type installation, 1600 mm PNC 206141
- Support for bridge type installation, 400 mm PNC 206154
- Frontal handrail 400 mm PNC 206166
- Frontal handrail 800 mm PNC 206167
- Large handrail (portioning shelf) 400 mm PNC 206185
- Large handrail (portioning shelf) 800 mm PNC 206186
- Frontal handrail 1200 mm PNC 206191
- Frontal handrail 1600 mm PNC 206192
- Right and left side handrails PNC 206240
- Water column with swivel arm (water column extension not included) PNC 206289
- Water column extension PNC 206291
- Chimney upstand, 400 mm PNC 206303
- 2 side covering panels, height 250 mm, depth 700 mm PNC 206320
- Chimney grid net, 400mm PNC 206400

**Front**

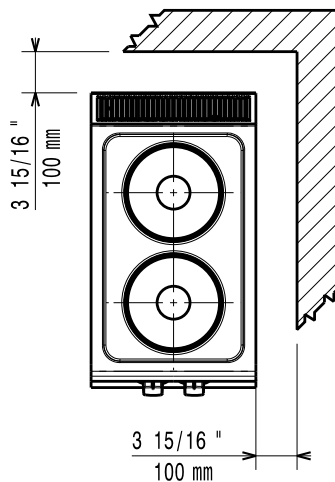


**Side**



**EI** = Electrical inlet (power)  
**EQ** = Equipotential screw

**Top**



**Electric**

**Supply voltage:**

<b>372014 (Z7ECED2R00)</b>	380-400 V/3 ph/50/60 Hz
<b>372126 (Z7ECED2RON)</b>	230 V/3 ph/50/60 Hz

**Total Watts:**

5.2 kW

**Predisposed for:**

<b>372014 (Z7ECED2R00)</b>	380-400V 3~ 50/60Hz 4,5-5,2kW
----------------------------	----------------------------------

**Key Information:**

**Front Plates Power:** 2.6 - 0 kW

**Back Plates Power:** 2.6 - kW

**Front Plates dimensions:** Ø 230

**Back Plates dimensions:** Ø 230

**Net weight:** 20 kg

**Shipping weight:**

<b>372014 (Z7ECED2R00)</b>	24 kg
<b>372126 (Z7ECED2RON)</b>	27 kg

**Shipping height:**

<b>372014 (Z7ECED2R00)</b>	530 mm
<b>372126 (Z7ECED2RON)</b>	540 mm

**Shipping width:**

460 mm

**Shipping depth:**

820 mm

**Shipping volume:**

0.2 m<sup>3</sup>

If appliance is set up or next to or against temperature sensitive furniture or similar, a safety gap of approximately 150 mm should be maintained or some form of heat insulation fitted.

**Certification group:**

<b>372014 (Z7ECED2R00)</b>	EH72T
<b>372126 (Z7ECED2RON)</b>	N7CE1