

**Modular Cooking Range Line
EVO700 11 Lt. Electric
Multifunctional Cooker with
compound bottom**

ITEM # _____

MODEL # _____

NAME # _____

SIS # _____

AIA # _____



372109 (Z7MFEDDD00)

11-lt electric multifunctional
cooker with compound
cooking surface**Short Form Specification****Item No.** _____

Heating via incoloy armoured heating elements. To be installed on 50 mm high feet for cleaning ease. Well to have rounded corners and cooking surface in compound steel (a 3mm layer of 316 AISI stainless steel on top of a 12mm layer of mild steel). Exterior panels in stainless steel with Scotch Brite finish. One piece pressed work top in 1.5 mm thick stainless steel. Right-angled side edges to allow flush-fitting junction between units.

Main Features

- Multi purpose cooking appliance that can be used to shallow fry, cook liquids or even as a bain marie. Unit can be used for sautéing, poaching, steaming, simmering, stewing, braising, boiling and preparing white sauces.
- Well cooking surface made in compound steel (a 3mm layer of 316 AISI stainless steel on top of a 12mm layer of mild steel) for optimum grilling results.
- The stainless steel well to have rounded corners to facilitate cleaning.
- Bottom temperature control is precisely set by a thermostat on the control panel.
- Temperature can be set from 100 °C to 250 °C.
- Uniform temperature distribution over the whole base.
- Short heat-up time of the empty pan.
- Unit to be heated via incoloy armoured heating elements.
- Unit delivered with four 50 mm legs in stainless steel as standard (all round Stainless steel kick plates as option).

Construction

- All exterior panels in Stainless Steel with Scotch Brite finishing.
- One piece pressed 1.5 mm work top in Stainless steel.
- Model has right-angled side edges to allow flush fitting joints between units, eliminating gaps and possible dirt traps.
- Delivered with runners for gastronorm container.

APPROVAL: _____

Included Accessories

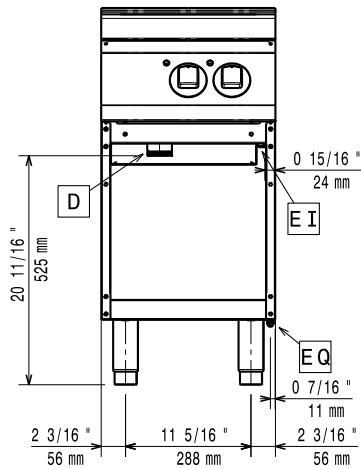
- 1 of Scraper for smooth plate for fry tops PNC 164255
- 1 of Blades with rounded sides for scraper PNC 921694 for multifunctional cookers

Optional Accessories

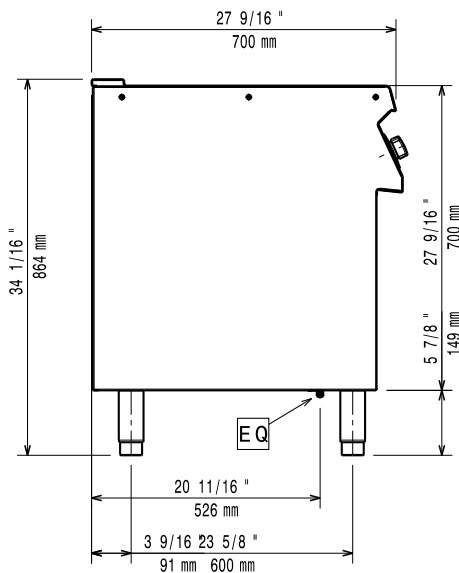
- Junction sealing kit PNC 206086
- 4 wheels, 2 swivelling with brake PNC 206135
(EVO700/900). It is mandatory to install with base supports for feet/wheels.
- Flanged feet kit PNC 206136
- Frontal kicking strip for concrete PNC 206147
installation, 400 mm
- Frontal kicking strip for concrete PNC 206148
installation, 800 mm
- Frontal kicking strip for concrete PNC 206150
installation, 1000 mm
- Frontal kicking strip for concrete PNC 206151
installation, 1200 mm
- Frontal kicking strip for concrete PNC 206152
installation, 1600 mm
- Frontal handrail 400 mm PNC 206166
- Frontal handrail 800 mm PNC 206167
- Frontal kicking strip, 400 mm PNC 206175
- Frontal kicking strip, 800 mm PNC 206176
- Frontal kicking strip, 1000 mm PNC 206177
- Frontal kicking strip, 1200 mm PNC 206178
- Frontal kicking strip, 1600 mm PNC 206179
- Large handrail (portioning shelf) 400 mm PNC 206185
- Large handrail (portioning shelf) 800 mm PNC 206186
- Frontal handrail 1200 mm PNC 206191
- Frontal handrail 1600 mm PNC 206192
- 4 feet for concrete installation (not for 900 PNC 206210
line freestanding grill)
- Right and left side handrails PNC 206240
- 2 supports with side runners for 4 GN 1/1 PNC 206244
containers for open base cupboards
(multifunctional cookers, solid top and gas
ranges with cupboard)
- Pair of side kicking strips PNC 206249
- Pair of side kicking strips (concrete PNC 206265
installation)

- Chimney upstand, 400 mm PNC 206303
- 2 side covering panels, height 700 mm, depth PNC 206319
700 mm
- Door for open base cupboard PNC 206342
- 2 drawers for open base, height 100 mm PNC 206360
- Base support for feet or wheels - 400mm PNC 206366
(EVO700/900)
- Base support for feet or wheels - 800mm PNC 206367
(EVO700/900)
- Base support for feet or wheels - 1200mm PNC 206368
(EVO700/EVO900)
- Base support for feet or wheels - 1600mm PNC 206369
(EVO700/900)
- Rear paneling - 600mm (EVO700/900) PNC 206373
- Rear paneling - 800mm (EVO700/900) PNC 206374
- Rear paneling - 1000mm (EVO700/900) PNC 206375
- Rear paneling - 1200mm (EVO700/900) PNC 206376
- Base support for feet/wheels (600mm) PNC 206431
- Lid for 11lt multifunctional cooker PNC 921689

Front

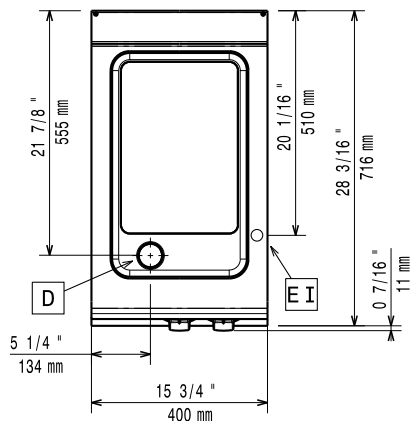


Side



EI = Electrical inlet (power)
EQ = Equipotential screw

Top



Electric

Supply voltage:	372109 (Z7MFEDDD00)	380-400 V/3N ph/50/60 Hz
Total Watts:		5 kW
Predisposed for:		380-400V 3N~ 50/60Hz 4,5-5kW

Key Information:

Cooking surface width:	306 mm
Cooking surface depth:	510 mm
Cooking Well Height:	70 mm
Working Temperature MIN:	100 °C
Working Temperature MAX:	250 °C
Net weight:	40 kg
Shipping weight:	50 kg
Shipping height:	1140 mm
Shipping width:	460 mm
Shipping depth:	820 mm
Shipping volume:	0.43 m ³

If appliance is set up or next to or against temperature sensitive furniture or similar, a safety gap of approximately 150 mm should be maintained or some form of heat insulation fitted.

Certification group: N7BRE1