

**Modular Cooking Range Line  
700XP Gas Solid Top on Gas  
Oven**

ITEM # \_\_\_\_\_

MODEL # \_\_\_\_\_

NAME # \_\_\_\_\_

SIS # \_\_\_\_\_

AIA # \_\_\_\_\_



372217 (Z7STGH10GA)

Gas solid top (13 kW) on oven (6 kW), full module - Australia

372218 (Z7STGL301A)

Gas solid top (24 kW) on oven (6 kW) and open cupboard - Australia

**Main Features**

- All major compartments located in front of unit for ease of maintenance.
- Durable cast iron cooking plate, easy to clean.
- Central burner with optimized combustion, flame failure device and protected pilot light.
- Gas heated, 7 kW central burner, solid top.
- Oven thermostat adjustable from 110 °C to 270 °C.
- Pans can easily be moved from one area to another without lifting.
- Temperature gradients to satisfy different cooking needs, provided over the whole plate thanks to the temperature fine-tuning by zone.
- The center of the plate can reach a maximum temperature of 500 °C while decreasing outwards.
- Various sizes of pans can be used at the same time due to large surface area with no intermediate sectors.
- IPX4 water resistance certification.
- Base compartment consists of a gas heated standard oven with stainless steel burners and self stabilizing flame positioned beneath the base plate. Stainless steel oven chamber to have 3 levels of runners to accommodate 2/1 GN shelves (2 steam pans) and ribbed enamelled steel base plate.

**Construction**

- Model has right-angled side edges to allow flush fitting joints between units, eliminating gaps and possible dirt traps.
- One piece pressed 1.5 mm work top in Stainless steel.
- All exterior panels in Stainless Steel with Scotch Brite finishing.

**Included Accessories**

- 1 of Grid kit for EVO700 ovens - Aus PNC 206282

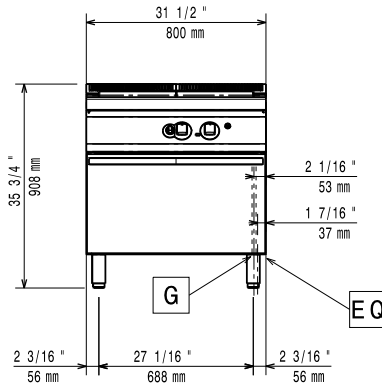
**Optional Accessories**

- GN2/1 chrome grid for static oven (only for 372218) PNC 164250
- Junction sealing kit PNC 206086
- Draught diverter, 150 mm diameter PNC 206132
- Matching ring for flue condenser, 150 mm diameter PNC 206133
- 4 wheels, 2 swivelling with brake (EVO700/900). It is mandatory to install with base supports for feet/wheels. PNC 206135
- Flanged feet kit PNC 206136
- Frontal kicking strip for concrete installation, 800 mm (only for 372217) PNC 206148
- Frontal kicking strip for concrete installation, 1000 mm (only for 372217) PNC 206150
- Frontal kicking strip for concrete installation, 1200 mm PNC 206151

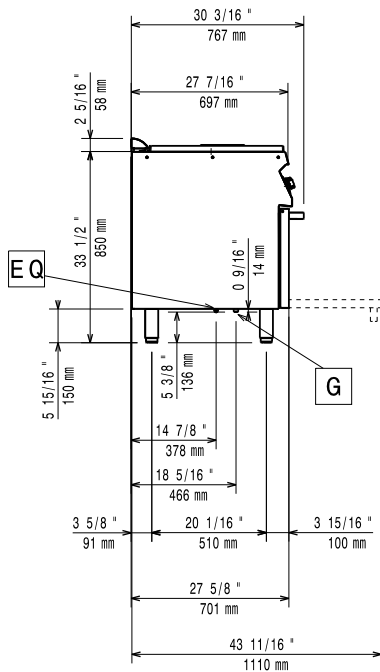
APPROVAL: \_\_\_\_\_

- Frontal kicking strip for concrete installation, 1600 mm PNC 206152
- Frontal handrail 800 mm (only for 372217) PNC 206167
- Frontal kicking strip, 800 mm (only for 372217) PNC 206176
- Frontal kicking strip, 1000 mm (only for 372217) PNC 206177
- Frontal kicking strip, 1200 mm PNC 206178
- Frontal kicking strip, 1600 mm PNC 206179
- Large handrail (portioning shelf) 800 mm (only for 372217) PNC 206186
- Frontal handrail 1200 mm PNC 206191
- Frontal handrail 1600 mm PNC 206192
- 4 feet for concrete installation (not for 900 line freestanding grill) PNC 206210
- Right and left side handrails PNC 206240
- 2 supports with side runners for 4 GN 1/1 containers for open base cupboards (multifunctional cookers, solid top and gas ranges with cupboard) (only for 372218) PNC 206244
- Flue condenser for 1 module, 150 mm diameter PNC 206246
- Pair of side kicking strips PNC 206249
- Electric heating kit for cupboards (only for 372218) PNC 206259
- Single burner smooth plate for direct cooking - fits frontal burners only (only for 372218) PNC 206260
- Single burner ribbed plate for direct cooking - fits frontal burners only (only for 372218) PNC 206261
- Single burner radiant plate for pan support (only for 372218) PNC 206264
- Pair of side kicking strips (concrete installation) PNC 206265
- Grid kit for EVO700 ovens - Aus PNC 206282
- Water column with swivel arm (water column extension not included) PNC 206289
- Water column extension PNC 206291
- Stainless steel grid for 2 burners (only for 372218) PNC 206297
- Chimney upstand, 800 mm (only for 372217) PNC 206304
- Chimney upstand, 1200 mm (only for 372218) PNC 206306
- 2 side covering panels, height 700 mm, depth 700 mm PNC 206319
- Door for open base cupboard (only for 372218) PNC 206342
- 2 drawers for open base, height 100 mm (only for 372218) PNC 206360
- Wok pan support for open burners (EVO700/900) PNC 206363
- Base support for feet or wheels - 800mm (EVO700/900) (only for 372217) PNC 206367
- Base support for feet or wheels - 1200mm (EVO700/EVO900) PNC 206368
- Base support for feet or wheels - 1600mm (EVO700/900) PNC 206369
- Rear paneling - 800mm (EVO700/900) (only for 372217) PNC 206374
- Rear paneling - 1000mm (EVO700/900) (only for 372217) PNC 206375
- Rear paneling - 1200mm (EVO700/900) PNC 206376
- Chimney grid net, 400mm (only for 372217) PNC 206400
- Double burner smooth plate for direct cooking (only PNC 921684 for 372218)
- Double burner ribbed plate for direct cooking (only PNC 921685 for 372218)
- Pressure regulator for gas units PNC 927225

**Front**

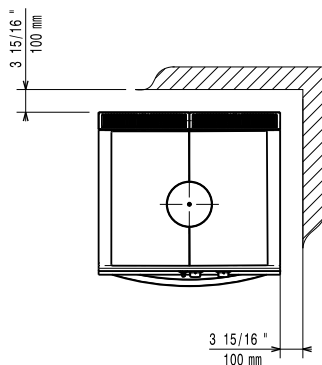


**Side**



**EQ** = Equipotential screw  
**G** = Gas connection

**Top**



**Gas**

**Gas Power:**

372217 (Z7STGH10GA)	13 kW
372218 (Z7STGL301A)	24 kW

**Gas Type Option:**

LPG

**Gas Inlet:**

1/2"

**Natural gas - Pressure:**

372217 (Z7STGH10GA)	7" w.c. (17.4 mbar)
---------------------	---------------------

**LPG Gas Pressure:**

372217 (Z7STGH10GA)	11" w.c. (27.7 mbar)
---------------------	----------------------

**Key Information:**

<b>Solid top usable surface (width):</b>	690 mm
<b>Solid top usable surface (depth):</b>	595 mm
<b>Oven working Temperature:</b>	110 °C MIN; 270 °C MAX
<b>Oven Cavity Dimensions (width):</b>	540 mm
<b>Oven Cavity Dimensions (height):</b>	300 mm
<b>Oven Cavity Dimensions (depth):</b>	650 mm

**Net weight:**

372217 (Z7STGH10GA)	95 kg
372218 (Z7STGL301A)	140 kg

**Shipping weight:**

372217 (Z7STGH10GA)	116 kg
372218 (Z7STGL301A)	160 kg

**Shipping height:**

1140 mm

**Shipping width:**

372217 (Z7STGH10GA)	900 mm
372218 (Z7STGL301A)	1300 mm

**Shipping depth:**

820 mm

**Shipping volume:**

372217 (Z7STGH10GA)	0.84 m³
372218 (Z7STGL301A)	1.22 m³

If appliance is set up or next to or against temperature sensitive furniture or similar, a safety gap of approximately 150 mm should be maintained or some form of heat insulation fitted.

**[NOT TRANSLATED]**

N7TG