

## Modular Cooking Range Line EVO700 Full Module Freestanding Gas Grill

ITEM # \_\_\_\_\_

MODEL # \_\_\_\_\_

NAME # \_\_\_\_\_

SIS # \_\_\_\_\_

AIA # \_\_\_\_\_



372281 (Z7JJASBAMEA)

Gas grill, full module - free standing (AGA) - Australia

### Short Form Specification

**Item No.** \_\_\_\_\_

To be installed on height adjustable feet in stainless steel. High efficiency 16 kW stainless steel gas burners with flame failure device, protected by deflection trays. Suitable for natural gas or LPG. Cooking surface grids in enameled cast iron, easily removable for cleaning. Exterior panels in stainless steel with Scotch Brite finish. One piece pressed work top in 1.5 mm thick stainless steel. Right-angled side edges to allow flush-fitting junction between units.

### Main Features

- Stainless steel burners with flame failure device.
- Burners are protected by deflection trays to prevent fat dripping on them.
- Stainless steel high splash guard on the rear and sides can be easily removed for cleaning and is dishwasher-safe.
- Open base compartment for storage of pots, pans, sheet pans, etc.
- Unit delivered with four 50 mm legs in stainless steel as standard (all round Stainless steel kick plates as option).
- Scraper for cleaning of grilling grids included.
- The low temperature of the external panels allow to work in safety.

### Construction

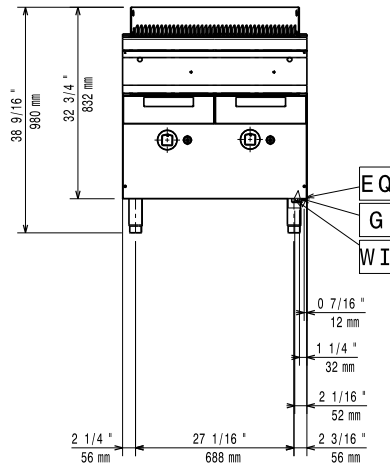
- All exterior panels in Stainless Steel with Scotch Brite finishing.
- One piece pressed 1.5 mm work top in Stainless steel.
- Model has right-angled side edges to allow flush fitting joints between units, eliminating gaps and possible dirt traps.
- IPX4 water resistance certification.

APPROVAL: \_\_\_\_\_

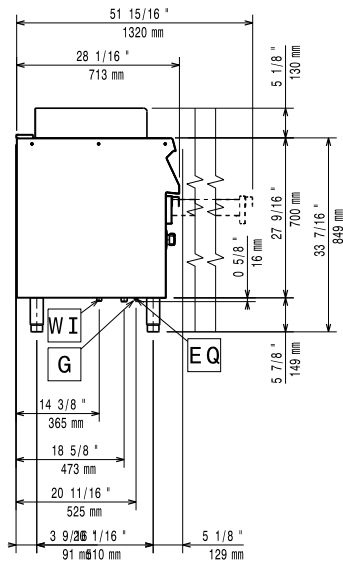
### Optional Accessories

- |  |  |   |                                     |
|--|--|---|-------------------------------------|
| • Junction sealing kit   | PNC 206086<br><input type="checkbox"/> | • Base support for feet or wheels - 1200mm (EVO700/EVO900)        | PNC 206368 <input type="checkbox"/> |
| • Draught diverter, 150 mm diameter  | PNC 206132<br><input type="checkbox"/> | • Base support for feet or wheels - 1600mm (EVO700/900)           | PNC 206369 <input type="checkbox"/> |
| • Matching ring for flue condenser, 150 mm diameter  | PNC 206133<br><input type="checkbox"/> | • Rear paneling - 800mm (EVO700/900)                              | PNC 206374 <input type="checkbox"/> |
| • 4 wheels, 2 swivelling with brake (EVO700/900). It is mandatory to install with base supports for feet/wheels. | PNC 206135<br><input type="checkbox"/> | • Rear paneling - 1000mm (EVO700/900)                             | PNC 206375 <input type="checkbox"/> |
| • Flanged feet kit   | PNC 206136<br><input type="checkbox"/> | • Rear paneling - 1200mm (EVO700/900)                             | PNC 206376 <input type="checkbox"/> |
| • Frontal kicking strip for concrete installation, 800 mm  | PNC 206148<br><input type="checkbox"/> | • Kit town gas nozzles (G150) for EVO700 grill                    | PNC 206389 <input type="checkbox"/> |
| • Frontal kicking strip for concrete installation, 1000 mm   | PNC 206150<br><input type="checkbox"/> | • Stainless steel grid for free standing grills (EVO700)          | PNC 206410 <input type="checkbox"/> |
| • Frontal kicking strip for concrete installation, 1200 mm   | PNC 206151<br><input type="checkbox"/> | • Stainless steel grid for free standing V-shaped grills (EVO700) | PNC 206411 <input type="checkbox"/> |
| • Frontal kicking strip for concrete installation, 1600 mm   | PNC 206152<br><input type="checkbox"/> | • Scraper for grids with drainage channels - top grills           | PNC 206421 <input type="checkbox"/> |
| • Frontal handrail 800 mm  | PNC 206167<br><input type="checkbox"/> | • Scraper for cast iron grills                                    | PNC 206422 <input type="checkbox"/> |
| • Frontal kicking strip, 800 mm  | PNC 206176<br><input type="checkbox"/> | • Pressure regulator for gas units                                | PNC 927225 <input type="checkbox"/> |
| • Frontal kicking strip, 1000 mm   | PNC 206177<br><input type="checkbox"/> |   |                                     |
| • Frontal kicking strip, 1200 mm   | PNC 206178<br><input type="checkbox"/> |   |                                     |
| • Frontal kicking strip, 1600 mm   | PNC 206179<br><input type="checkbox"/> |   |                                     |
| • Large handrail (portioning shelf) 800 mm   | PNC 206186<br><input type="checkbox"/> |   |                                     |
| • Frontal handrail 1200 mm   | PNC 206191<br><input type="checkbox"/> |   |                                     |
| • Frontal handrail 1600 mm   | PNC 206192<br><input type="checkbox"/> |   |                                     |
| • 4 feet for concrete installation (not for 900 line freestanding grill)   | PNC 206210<br><input type="checkbox"/> |   |                                     |
| • Right and left side handrails  | PNC 206240<br><input type="checkbox"/> |   |                                     |
| • Central support for installation of drawers and grid supports for open base cupboards                          | PNC 206245<br><input type="checkbox"/> |   |                                     |
| • Flue condenser for 1 module, 150 mm diameter   | PNC 206246<br><input type="checkbox"/> |   |                                     |
| • Pair of side kicking strips  | PNC 206249<br><input type="checkbox"/> |   |                                     |
| • Pair of side kicking strips (concrete installation)  | PNC 206265<br><input type="checkbox"/> |   |                                     |
| • Water filling tap for 800 mm free standing grills  | PNC 206281<br><input type="checkbox"/> |   |                                     |
| • Chimney upstand, 800 mm  | PNC 206304<br><input type="checkbox"/> |   |                                     |
| • 2 side covering panels, height 700 mm, depth 700 mm  | PNC 206319<br><input type="checkbox"/> |   |                                     |
| • Base support for feet or wheels - 800mm (EVO700/900)   | PNC 206367<br><input type="checkbox"/> |   |                                     |

**Front**

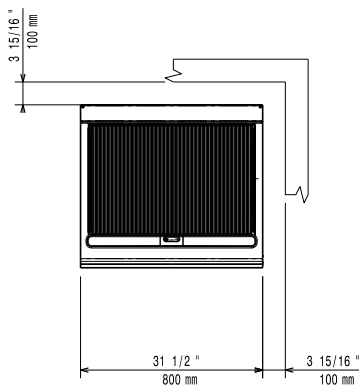


**Side**



**EQ** = Equipotential screw  
**G** = Gas connection

**Top**



**Gas**

<b>Gas Power:</b>	
372281 (Z7JJASBAMEA)	16 kW
<b>Standard gas delivery:</b>	Natural Gas
<b>Gas Type Option:</b>	LPG;Town
<b>Gas Inlet:</b>	1/2"

**Key Information:**

<b>Cooking surface width:</b>	631 mm
<b>Cooking surface depth:</b>	478 mm
<b>Net weight:</b>	75 kg
<b>Shipping weight:</b>	95 kg
<b>Shipping height:</b>	1180 mm
<b>Shipping width:</b>	820 mm
<b>Shipping depth:</b>	860 mm
<b>Shipping volume:</b>	0.83 m <sup>3</sup>

If appliance is set up or next to or against temperature sensitive furniture or similar, a safety gap of approximately 150 mm should be maintained or some form of heat insulation fitted.

**[NOT TRANSLATED]** N7GG