

**Modular Cooking Range Line
EVO900 Gas PowerGrill Top
HP 1200mm**

ITEM # _____

MODEL # _____

NAME # _____

SIS # _____

AIA # _____



392066 (Z9GRGLGC0P) Large gas grill top - hp

Short Form Specification

Item No. _____

To be used with natural or LPG gas. High efficiency 31.5 kW stainless steel burners with self stabilizing flame. Cooking surface grids in cast iron, easily removable for cleaning. Stainless steel AISI 441 deflective shields below radiants avoid burner clogging. Includes drip tray for the collection of grease and fat. Exterior panels of unit in stainless steel with Scotch Brite finish. Extra strength work top in heavy duty 2 mm stainless steel. Right-angled side edges to allow flush-fitting junction between units.

Main Features

- Stainless steel AISI441 burners with self stabilizing flame.
- Burners are protected by AISI441 stainless steel deflector reaching approx. 700°C; top and side radiant plates distribute evenly the heating power while protecting the deflector from direct contact with the dripping fat, thus reducing flare ups (PATENT PENDING).
- Cooking grid reaching temperatures up to 350°C.
- Full-depth grease collection drawer, with hole to indicate when full, to collect residual cooking grease and fat. Can be filled-up with water for vapor-emission effect.
- Stainless-steel removable splash guards on the rear and sides
- All components (deflector, radiant plates, cooking grids, splash guards) can be dismantled for cleaning purposes.
- "Power Control" exclusive function: control knob allows fine-tuning of the power on a 240° rotation range between max and min, to optimize consumption while perfectly adapting to the food being cooked.
- "Stand-by" position on the control knob allows minimizing power consumption during non-peak periods, while allowing a fast recovery at the moment of need.
- The special design of the control knob system guarantees against water infiltration.
- Cooking grids made in highly resistant enameled cast iron for easy cleaning.

Construction

- Side and rear panel in AISI304 stainless steel.
- All exterior panels in Stainless Steel with Scotch Brite finishing.
- AISI 304 stainless steel worktop, 2mm thick.
- Model has right-angled side edges to allow flush fitting joints between units, eliminating gaps and possible dirt traps.
- All the functional components are accessible via the front of the appliance.
- Unit is 900mm deep to give a larger working surface area.

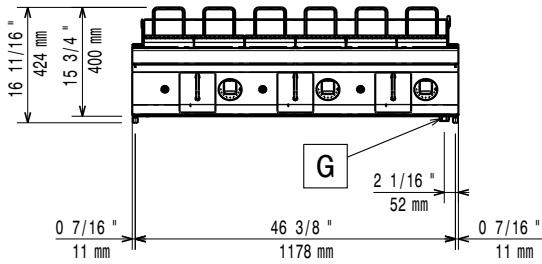
Optional Accessories

- Junction sealing kit PNC 206086
- 4 wheels, 2 swivelling with brake (EVO700/900). It is mandatory to install with base supports for feet/wheels. PNC 206135
- Support for bridge type installation, 1200 mm PNC 206139
- Support for bridge type installation, 1400 mm PNC 206140

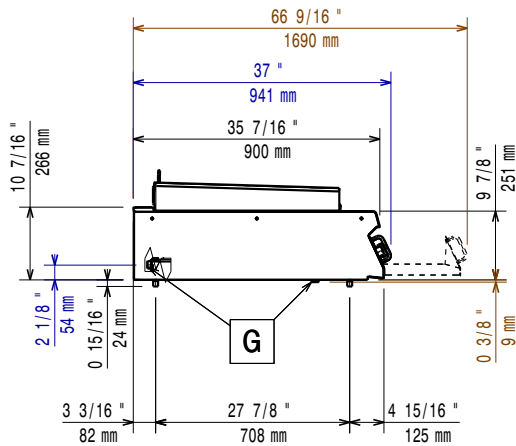
APPROVAL: _____

- Support for bridge type installation, 1600 mm PNC 206141 □
- 2 side covering panels, height 250 mm, depth 900 mm PNC 206321 □
- Scraper kit with hooks for HP grills (EVO700/900) PNC 206347 □

Front

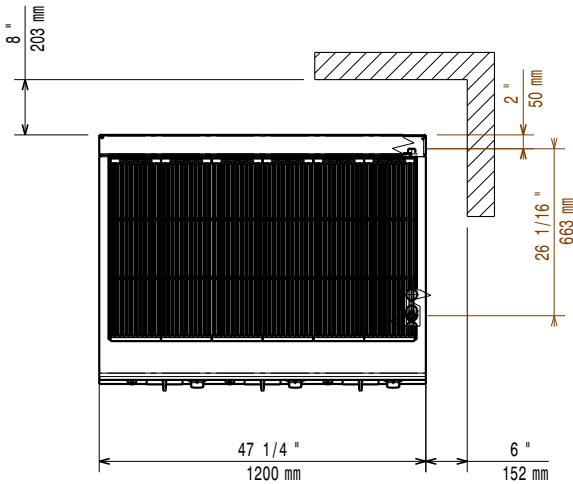


Side



EQ = Equipotential screw
G = Gas connection

Top



Gas

Gas Power:	392066 (Z9GRGLGC0P)	31.5 kW
Standard gas delivery:		Natural Gas G20 (20mbar)
Gas Type Option:		LPG
Gas Inlet:		3/4"
Natural gas - Pressure:		7" w.c. (17.4 mbar)

Key Information:

External dimensions, Width:	1200 mm
External dimensions, Height:	250 mm
External dimensions, Depth:	941 mm
Net weight:	141 kg
Shipping weight:	164 kg
Shipping height:	580 mm
Shipping width:	1020 mm
Shipping depth:	1280 mm
Shipping volume:	0.76 m ³

If appliance is set up or next to or against temperature sensitive furniture or similar, a safety gap of approximately 150 mm should be maintained or some form of heat insulation fitted.