

## Modular Cooking Range Line EVO900 Full Module Electric Grill

ITEM # \_\_\_\_\_

MODEL # \_\_\_\_\_

NAME # \_\_\_\_\_

SIS # \_\_\_\_\_

AIA # \_\_\_\_\_



392271 (Z9GREHGCFU)

Electric grill, full module - free standing

### Short Form Specification

**Item No.** \_\_\_\_\_

Heating via incoloy armoured heating elements positioned under the cooking grid. Cooking surface grids in enameled cast iron, easily removable for cleaning. Includes drip tray for the collection of grease and fat. Exterior panels of unit in stainless steel with Scotch Brite finish. Extra strength work top in heavy duty 2 mm stainless steel. Right-angled side edges to allow flush-fitting junction between units.

### Main Features

- Incoloy armoured heating elements positioned under the cooking grid.
- Each bank of elements has a temperature controlled thermostat.
- Power indicator light.
- Drip tray to collect residual cooking juices and fat.
- Stainless steel high splash guards on the rear and sides of cooking surface. Splash guards can be easily removed for cleaning and are dishwasher-safe.
- The special design of the control knob system guarantees against water infiltration.
- IPX5 water protection.
- Energy regulation through a control knob.
- Heating element can be tilted frontally for easy cleaning.
- Monoblock structure gives better stability and easier installation.
- The cooking surface is double-sided: one for meat and the other for fish and vegetables.
- The drawer can be filled with water to obtain vapor to cook softer food and to facilitate the cleaning of the drawer.
- The low temperature of the external panels allow to work in safety.
- Cooking grids made in highly resistant enameled cast iron for easy cleaning.

### Construction

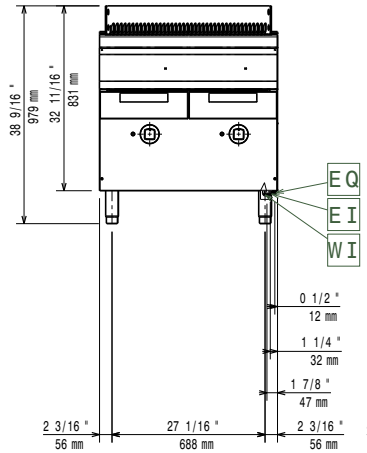
- All exterior panels in Stainless Steel with Scotch Brite finishing.
- AISI 304 stainless steel worktop, 2mm thick.
- Model has right-angled side edges to allow flush fitting joints between units, eliminating gaps and possible dirt traps.
- Unit is 900mm deep to give a larger working surface area.

APPROVAL: \_\_\_\_\_

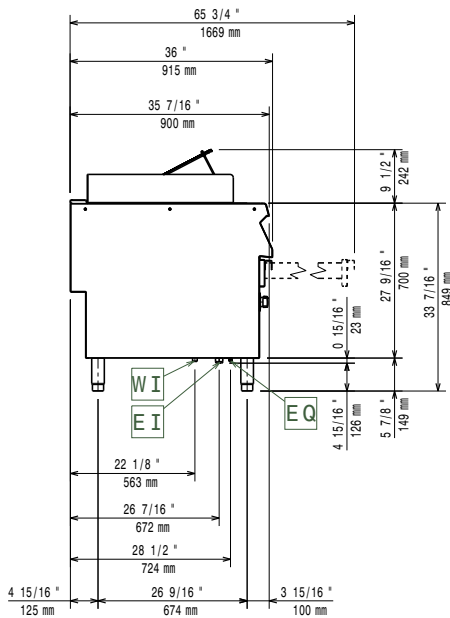
**Optional Accessories**

- Junction sealing kit PNC 206086
- 4 wheels, 2 swivelling with brake (EVO700/900). It is mandatory to install with base supports for feet/wheels. PNC 206135
- Flanged feet kit PNC 206136
- Frontal kicking strip for concrete installation, 800 mm PNC 206148
- Frontal kicking strip for concrete installation, 1000 mm PNC 206150
- Frontal kicking strip for concrete installation, 1200 mm PNC 206151
- Frontal kicking strip for concrete installation, 1600 mm PNC 206152
- Pair of side kicking strips (concrete installation) PNC 206157
  
- Side handrail for right/left hand PNC 206165
- Frontal handrail 800 mm PNC 206167
- Frontal kicking strip, 800 mm PNC 206176
- Frontal kicking strip, 1000 mm PNC 206177
- Frontal kicking strip, 1200 mm PNC 206178
- Frontal kicking strip, 1600 mm PNC 206179
- Pair of side kicking strips PNC 206180
- 2 panels for service duct (single installation) PNC 206181
- Large handrail (portioning shelf) 800 mm PNC 206186
- Frontal handrail 1200 mm PNC 206191
- Frontal handrail 1600 mm PNC 206192
- 2 panels for service duct (back to back installation) PNC 206202
- 4 feet for concrete installation (not for 900 line freestanding grill) PNC 206210
- Water filling tap for free standing grills PNC 206281
- Chimney upstand, 800 mm PNC 206304
- 2 side covering panels, height 700 mm, depth 900 mm PNC 206335
- Base support for feet or wheels - 800mm (EVO700/900) PNC 206367
- Base support for feet or wheels - 1200mm (EVO700/EVO900) PNC 206368
- Base support for feet or wheels - 1600mm (EVO700/900) PNC 206369
- Base support for feet or wheels - 2000mm (EVO700/900) PNC 206370
- Rear paneling - 800mm (EVO700/900) PNC 206374
- Rear paneling - 1000mm (EVO700/900) PNC 206375
- Rear paneling - 1200mm (EVO700/900) PNC 206376
- Stainless steel grid with drainage channels for free standing V-shaped grills (EVO900) PNC 206405
- Scraper for grids with drainage channels - top grills PNC 206421
- Scraper for cast iron grills PNC 206422

**Front**

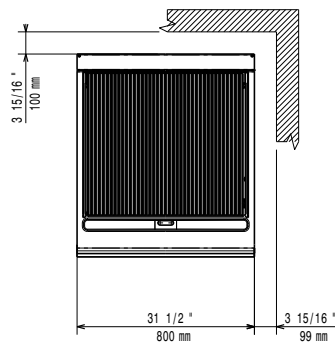


**Side**



EI = Electrical inlet (power)  
EQ = Equipotential screw

**Top**



**Electric**

Supply voltage:	392271 (Z9GREHGCFU)	380-400 V/3N ph/50/60 Hz
Electrical power max.:		15 kW
Total Watts:		15 kW
Predisposed for:		380-400V 3N~ 50/60Hz 13,5-15kW

**Key Information:**

Cooking surface width:	631 mm
Cooking surface depth:	640 mm
External dimensions, Width:	800 mm
External dimensions, Height:	850 mm
External dimensions, Depth:	900 mm
Net weight:	115.5 kg
Shipping weight:	120 kg
Shipping height:	1180 mm
Shipping width:	1020 mm
Shipping depth:	880 mm
Shipping volume:	1.06 m <sup>3</sup>
Certification group:	N9GE

If appliance is set up or next to or against temperature sensitive furniture or similar, a safety gap of approximately 150 mm should be maintained or some form of heat insulation fitted.