



HOSHIZAKI

KM-60C HC

Crescent 52kg Ice Maker - Self Contained

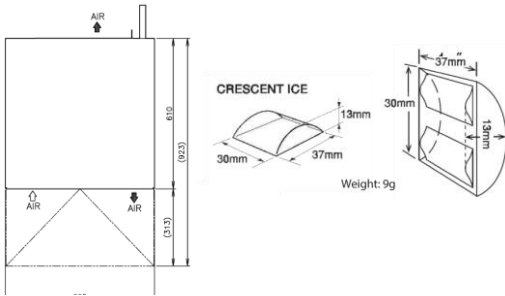
Model Number
91000148

PRODUCT FEATURES

- Individual premium crescent cube with no ice bridging.
- Exceptionally hard crystal-clear cubes that melt slowly.
- Durable stainless-steel exterior.
- Slide in air filter at front for easy cleaning -maintaining performance efficiency.
- Double-sided stainless-steel evaporator for all water conditions -produces more ice in less cycles.
- Flush mount to rear wall.
- Good in hard water areas.
- Snap in water tank design – easy to remove for sanitization
- Low electrical consumption.
- Low water consumption.
- LED lights and audible alarms.



TECHNICAL DRAWING



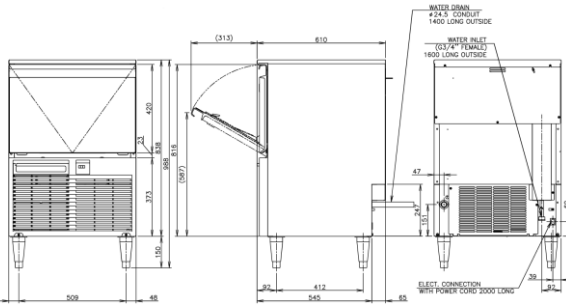
PRODUCT SPECIFICATION

Production Capacity / 24hrs	Approx. 52kg @ 21°C Air temp; 15°C Water Approx. 37kg @ 32°C Air temp; 21°C Water
Max Storage Capacity	Approx. 23kg
Freeze Cycle Time	Approx. 26 Min (At. 21°C Air ; 15°C Water)
Ice Production / cycle	Approx. 0.96kg/110pcs
Dimensions	605mm (W) x 610mm (D) x 988mm (H) (982-1005mm (H) with 150mm adjustable legs) (842mm (H) with optional hex bolt leg)
Cooling	Air
Weight Net/Gross (kg)	45/57
Refrigeration System	Forced Air Circulation
AC Supply Voltage	1 PHASE 220-240V 50Hz / 10amp Plug
Amperage	Running: 1.6A Starting: 8.5A
Refrigerant Charge	R290/90g
Operating Conditions:	
Ambient Temp	7-38°C
Water Supply Temp	7-32°C
Water Supply Pressure	0.07-0.8MPa (0.7-8bar)
Voltage Range	±6%
Electrical consumption	Rated Motor: 255W (Power Factor: 63%)
Water Consumption / 24hrs	Approx. 0.14m ³ /d(AT. 21°C ; WT 15°C)

INSTALLATION REQUIREMENTS

- Ensure the condenser is cleaned periodically as per the manufacturer's manual.
- Do not plug the unit into multi-plug power boards with other appliances
- Room ventilation or air conditioning can improve the situation by reducing the humidity. Hoshizaki recommends the use of a compatible water filter to prevent non-warrantable scale & sediment complications

*Refer to manual for full installation & maintenance requirements.



For free 6 month extended warranty, register online within 4 weeks of purchase date.
hoshizaki.com.au

