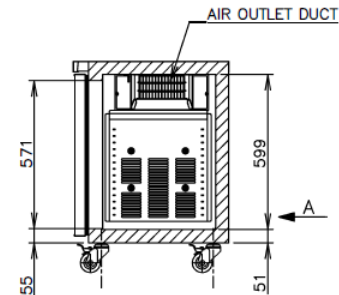
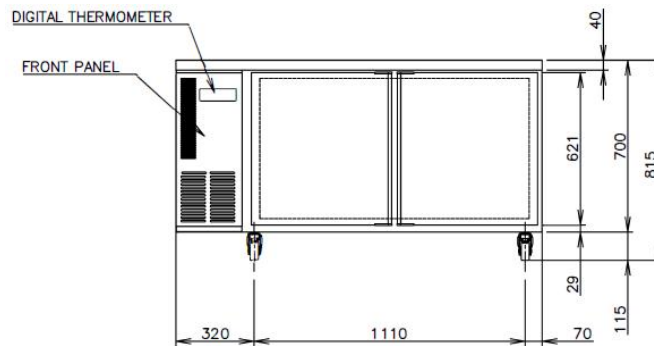
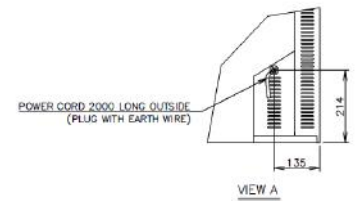
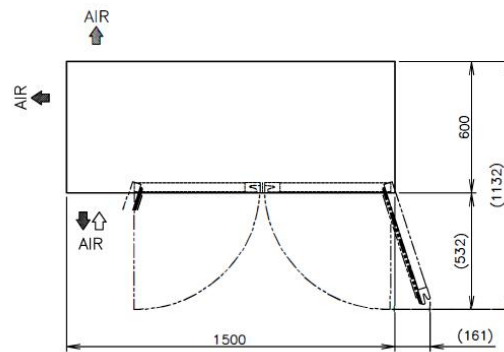
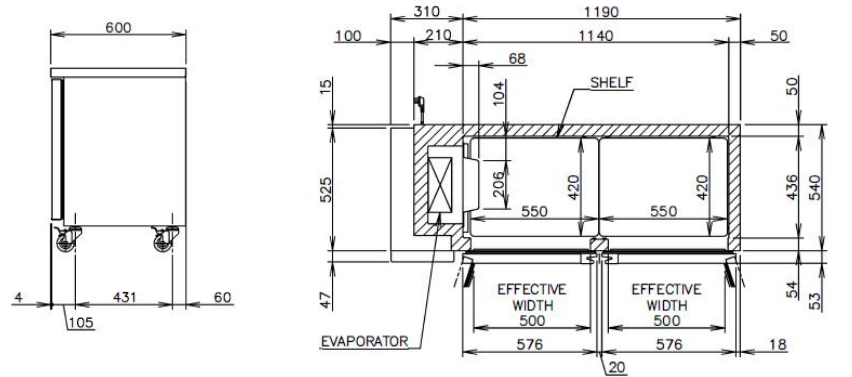




### PRODUCT FEATURES

- Complete with stainless steel top.
- Standard with 4 shelves and 2 doors.
- Programmable electronic controller and display.
- 2 years parts and labour warranty.
- Comes standard with 4 x lockable (115 mm) castors (not legs).
- Optional Adjustable legs 150 - 180mm (Sold separately).

### TECHNICAL DRAWING



### PRODUCT SPECIFICATION



<b>Interior</b>	Stainless Steel, ABS Plastic (Doors)
<b>Exterior</b>	Stainless Steel, Galvanized Steel (Rear/Bottom), ABS plastic (Top & Bottom on Door)
<b>Effective Capacity</b>	318L
<b>Temperature Control</b>	Microprocessor (Digital Temp Indication) Adjustable from -6 to 12°C
<b>Evaporator</b>	Fin & Tube type
<b>Outside Dimensions</b>	1500mm (W) x 600mm (D) x 815mm (H)
<b>Inside Dimensions</b>	1140mm (W) x 436mm (D) x 599mm (H)
<b>Refrigeration System</b>	Forced Air Circulation
<b>Weight Net/Gross (kg)</b>	81 / 86
<b>AC Supply Voltage</b>	1 PHASE 220-240V 50Hz /10amp Plug
<b>Amperage</b>	Rated: 2.0A
<b>Refrigerant</b>	R134a
<b>Operating Conditions</b>	Ambient Temp.: 5-43°C Voltage Range: Rated Voltage ±6%



Descriptions and specifications are subject to change at any time, without notice. Illustrations for demonstration purposes.

Copyright © 2020 Hoshizaki Lancer Pty Ltd. All right reserved. E&OE Date: Sept2020