



MWA1000 – Commercial Microwave Oven

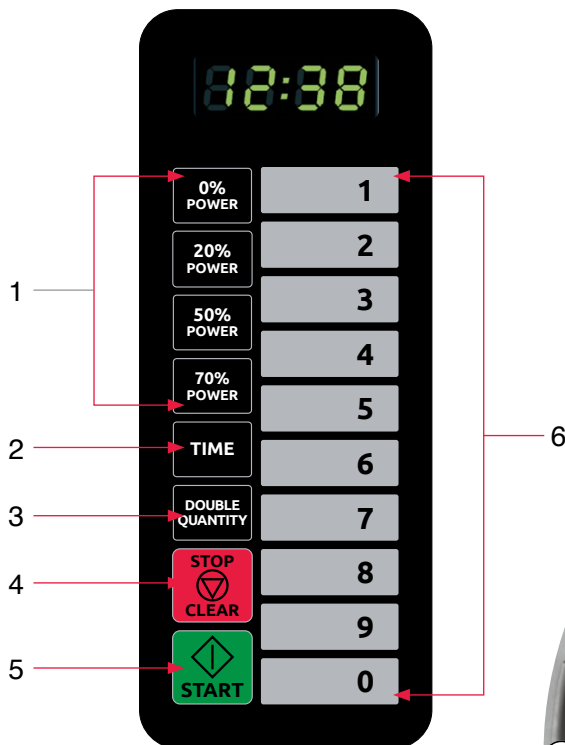
An essential part of any kitchen, the Anvil MWA1000 offers professional catering outlets a fast solution for heating food. Robust full stainless steel interior & exterior construction with fully customisable touch pad featuring 100 preset programs.

Features

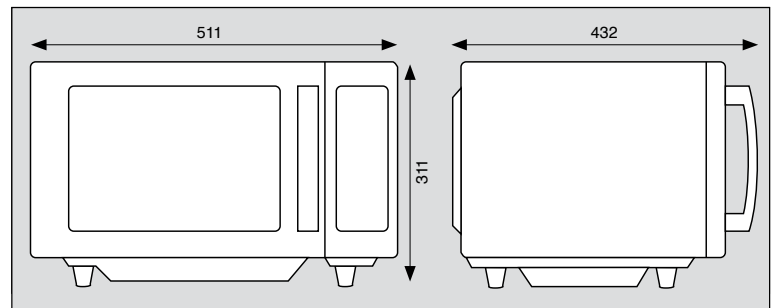
- High Power 1000watt output
- Motorised Stirrer Fan for even heating
- Easy clean sealed in Ceramic Base
- Variable Power Output to suit delicate menu items
- Dual Interlock Door Safety Switching

Specifications

- Power Output:** 1000watts (IEC705)
Capacity: 23 Litres
Internal Dimensions:..... 327w x 200h x 346d
External Dimensions: 511w x 311h x 432d
Power Supply Required: 10amp single phase (230-240V/50Hz)
Power Consumption:..... 1550watts
Input Current: 6.7 amps
Weight: 14.7kg
Warranty: 2 Year Parts & Labour



1. **POWER** - Used to set power level.
2. **TIME** - Used to set the heating time.
3. **DOUBLE QUANTITY** - Used to extend the preset programmed heating time for double portions.
4. **STOP/CLEAR** - Used to stop and reset the oven.
5. **START** - Used to start the oven.
6. **NUMBER PAD**



- ① Full Stainless Steel Interior & Exterior
- ② Easy Clean Ceramic Base
- ③ Grab & Go Handle
- ④ Dual Interlock Door Safety Switching