

SOLSTICE ELECTRIC FRYER

SE14, SE14C



For high-production electric frying, specify the Pitco Solstice Electric SE14 fryer. The SE14 offers multiple heat input (kilowatt) options to achieve ENERGY STAR® performance and meet various frying demands. It features highly reliable fixed heating elements, environmentally friendly mercury-free contactors, and precise temperature control with a behind-the-door solid-state thermostat including melt cycle and boil-out modes.

STANDARD FRYER FEATURES & ACCESSORIES

- Tank - stainless steel construction
- Cabinet - stainless front, door and sides
- Fixed heating elements
- Solid State T-Stat (SSTC) w/melt cycle and boil out mode
- Mercury Free heating contactors
- High Temperature safety limit switch
- Drain valve interlock
- 32mm Full port drain valve for fast draining
- 9" adjustable legs
- Drain Line Clean out rod
- Element rack
- Removable basket hanger
- Fryer cleaning brush and lid
- Fryer cleaner sample packet
- 2 Baskets per tank

CONTROL OPTIONS

Solid State Control - SE14
Temperature Monitoring
Melt Cycle
Boil Out



12-Button Computer Control - SE14C

Turning On/Off
Temperature Monitoring
Cooking Timer
Shake & Hold Timers
Load Compensation Mode
Boil Out Mode
Melt Cycle
Programming Mode
Adjustable Alarm & Alerts
Password Option



Solid State Control option shown

Please note, due to ongoing product development and improvement, we reserve the right to change product design and specification at any time without notice.



**HEAD OFFICE
AND MANUFACTURING PLANT**
211-217 Woodpark Road
Smithfield NSW 2164

VIC - TAS
47 Stubbs Street,
Kensington
VIC 3031

QLD
U12, 210 Queensport
Rd Nth, Murarrie
QLD 4172

WA
U2, 9 Meares Way,
Canning Vale WA
6155

1800 013 123
+61 2 9604 7333
sales@middleby.com.au
middleby.com.au

SOLSTICE ELECTRIC FRYERS

SE14, SE14C



SPECIFICATIONS

Dimensions (W x D x H)	397 x 875 x 1010mm
Cooking area	356 x 356mm
Oil capacity	22 Litres
Rating	17kW
Weight	91Kg

ELECTRICAL REQUIREMENTS

415/240 Volts, 32 amp, 50/60 Hz, 3 ph

FILTER SPECIFICATIONS

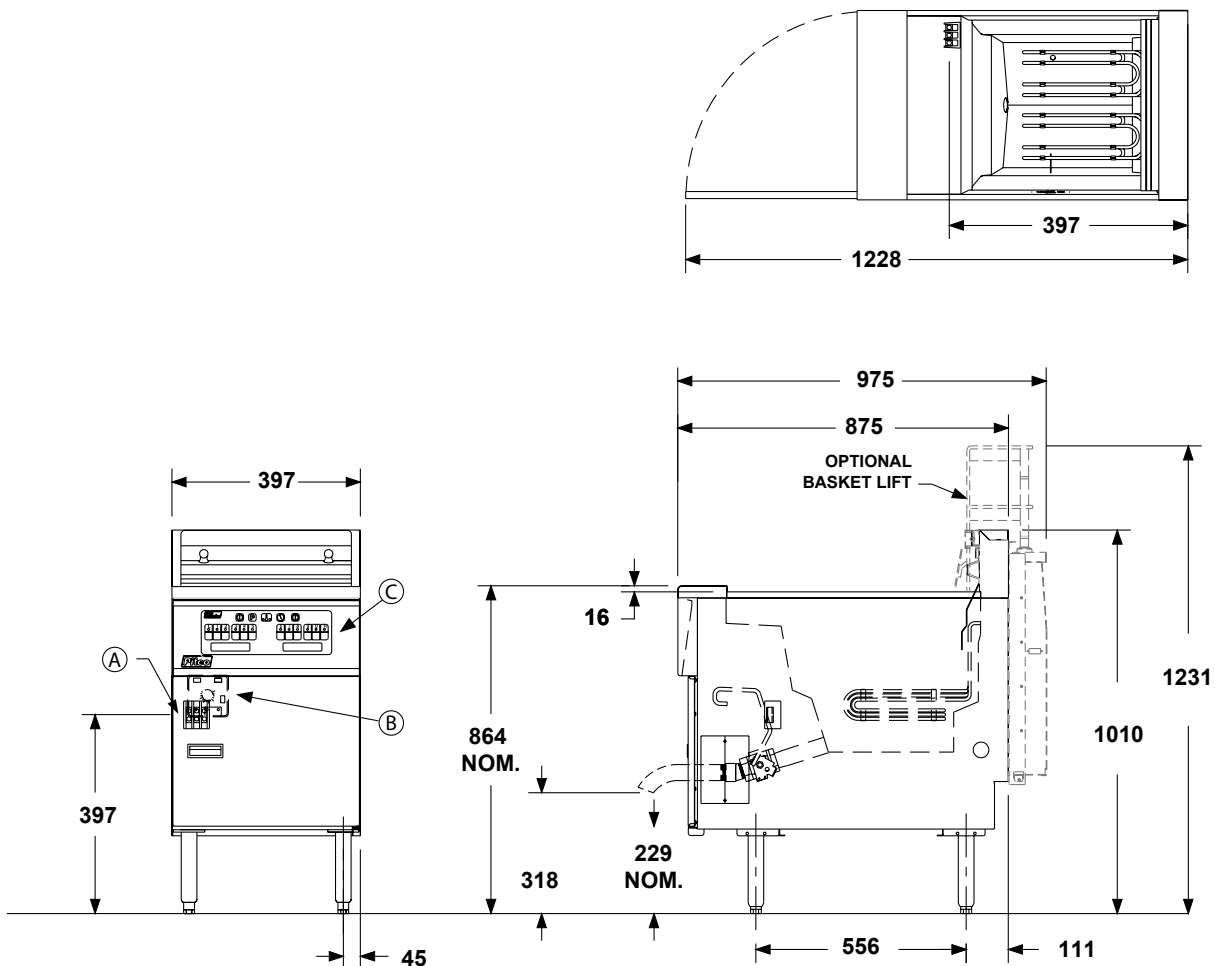
Filter pump rated flow 30LPM

INSTALLATION CLEARANCES

Front min.	762mm
Floor min.	152mm
Combustible material - Sides min.	152mm
Combustible material - Rear min.	152mm
Non-Combustible material - Sides min.	0
Non-Combustible material - Rear min.	0

Power lead and plug required (not included).

- A** Power supply hook-up
- B** Solid State Controls
- C** Computer Control Panel



Please note, due to ongoing product development and improvement, we reserve the right to change product design and specification at any time without notice.



**HEAD OFFICE
AND MANUFACTURING PLANT**
211-217 Woodpark Road
Smithfield NSW 2164

VIC - TAS
47 Stubbs Street,
Kensington
VIC 3031

QLD
U12, 210 Queensport
Rd Nth, Murarrie
QLD 4172

WA
U2, 9 Meares Way,
Canning Vale WA
6155

1800 013 123
+61 2 9604 7333
sales@middleby.com.au
middleby.com.au