

Electric Range Static Oven 900mm

RNLB8610E, RNLB8613E, RNLB8616E, RNLB8619E



RNLB8610E

- Heavy-duty construction
- 2.4kW open radiant elements
- Optional 2.0kW hot plate elements
- 300mm, 600mm and 900mm griddle plate options
- GN 2/1 6.5kW electric static oven
- Drop down door
- Stainless steel exterior
- Black vitreous enamel finish to front panels
- Easy clean
- Easy service
- Fully modular

OVERALL CONSTRUCTION

- Galvanized steel chassis
- Welded hob with 1.5mm 304 stainless steel bull nose
- Splashback and hob sides 1.2mm 304 stainless steel
- Front panels and oven sides 0.9mm 304 stainless steel
- 150mm legs in 63mm dia. heavy-duty 1.2mm 304 stainless steel with adjustable feet

COOKTOP

- 2.4kW open radiant elements in heavy-duty welded element frames
- Stainless steel spill trays
- 2.0kW hot plate elements with machine finished 8mm steel plate (optional extra)
- 12mm thick mild steel griddle plates
- 2.5mm 304 stainless steel griddle splash guards
- Aluminised steel internal construction

Griddle sections are standard on RH side. Available on LH side or centre to order.

OVEN

- Fully welded and vitreous enamelled oven liner
- GN 2/1 capacity with 4 position racking
- Heavy-duty easy remove heavy wire chrome rack supports
- Cast iron even heat oven sole plate
- 6.5kW heating elements
- Welded frame drop down door with heavy-duty spring hinge system
- 0.9mm 304 stainless steel door outer
- 1.0mm press formed vitreous enamelled door inner
- High density fibreglass insulated
- Stay cool stainless steel door handle with cast metal handle mounts
- Supplied with two chrome wire oven racks

CONTROLS

- Large easy use control knob - heat resistant reinforced
- Easy view control settings on knob

COOKTOP

- Hot plate elements with energy regulator controls
- Radiant elements with energy regulator controls
- 50-320°C thermostat per 300mm griddle section
- Indicator lights for power and heating for each griddle control
- Power indicator light for each element control

OVEN

- Separate temperature and top heat power regulation controls
- 50-320°C thermostatic control
- Lo-Hi top heat control
- Indicator lights for power and heating

CLEANING AND SERVICING

- All models with easy clean stainless steel external finish
- Stainless steel spill trays
- Lift up element and griddle sections
- Removable oven racking and sole plate
- Easy clean vitreous enamel oven and door inner
- Door hinge spring adjustable on unit (door outer removed)
- Door disengages for lift off removal and increased service access
- Access to all parts from front of unit

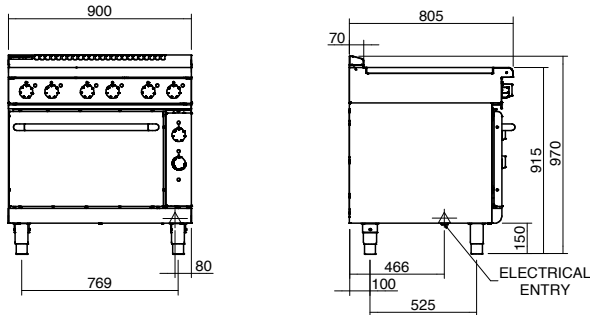
Series Options

RNLB - Low back models

RNB - 215mm splashback option

Electric Range Static Oven 900mm

RNLB8610E, RNLB8613E, RNLB8616E, RNLB8619E

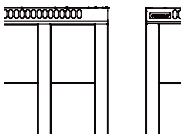


RNLB8610E

RNLB8613E

RNLB8616E

RNLB8619E



SPECIFICATIONS

Cooktop

- 2.4kW Open Radiant elements
- 2.0kW Hot Plate elements
- 3.6kW Griddle elements
(per 300mm griddle section)

Oven

- 4.5kW bottom heat element
- 2.0kW top heat element

Electrical requirements

- RN8610E 20.9kW
- RN8613E 19.7kW
- RN8616E 18.5kW
- RN8619E 17.3kW

Electrical connection

- 18.5kW max
- 400-415Vac, 50/60hz, 3P+N+E
- L1 29.3A max
- L2 29.3A max
- L3 28.3A max

Griddle Plate

- 300mm Griddle cooking surface
292mm x 475mm, 1387cm²
- 600mm Griddle cooking surface
592mm x 475mm, 2812cm²
- 900mm Griddle cooking surface
892mm x 475mm, 4237cm²

Oven Dimensions

- Width 665mm
- Depth 650mm
- Height 400mm
- Rack size 650mm x 600mm
- Rack positions 4

Electrical connection

- 69mm from RH side, 484mm from rear, and 150mm from floor

Dimensions

- Width 900mm
- Depth 805mm
- Height 915mm
- Incl. low back 970mm
- Incl. splashback option 1130mm

Nett weight

- 195kg

Packing data

- 1.03m³, 260kg
- Width 945mm
- Depth 870mm
- Height 1255mm

OPTIONS AT EXTRA COST

- Hot plate elements
(replace individual open radiant elements)
- Ribbed griddle plates
- Joining caps
- Castors
- Plinth mounting



moffat.com.au
moffat.co.nz

Australia

moffat.com.au

Moffat Pty Limited

Victoria/Tasmania
740 Springvale Road
Mulgrave, Victoria 3170
Telephone +613-9518 3888
Facsimile +613-9518 3833
vsales@moffat.com.au

New South Wales
Telephone +612-8833 4111
nswsales@moffat.com.au

South Australia
Telephone -613-9518 3888
vsales@moffat.com.au

Queensland
Telephone +617-3630 8600
qldsals@moffat.com.au

Western Australia
Telephone 618-9413 2400
wasales@moffat.com.au

New Zealand

moffat.co.nz

Moffat Limited

Rolleston
45 Illinois Drive
Izone Business Hub
Rolleston 7675
Telephone +64 3-983 6600
Facsimile +64 3-983 6660
sales@moffat.co.nz

Auckland
Telephone +64 9-574 3150
sales@moffat.co.nz



ISO9001
Quality
Management
Standard

Designed and manufactured by



ISO9001

All Waldorf Bold products are designed and manufactured by Moffat using the internationally recognised ISO9001 quality management system, covering design, manufacture and final inspection, ensuring consistent high quality at all times.

In line with policy to continually develop and improve its products, Moffat Limited reserves the right to change specifications and design without notice.

© Copyright Moffat Ltd
AN.WBD.S.02.19

an Ali Group Company



The Spirit of Excellence