

Gas Salamander 900mm

SNB8200G



OVERALL CONSTRUCTION

- Monocoque construction
- External panels of 0.9mm 304 grade stainless steel
- Stainless steel tray under grilling area with grease trough
- Two individually controlled 15.5MJ/hr infra-red burners
- Suitable for bench or wall mounting

RACKING

- Four position racking (flat or inclined)
- Adjustable chrome wire rack with heat resistant handles

CONTROLS

- Large easy use controls
- Heat resistant reinforced control knobs
- Variable high to low burner control
- Pilot burner with flame failure protection

CLEANING AND SERVICING

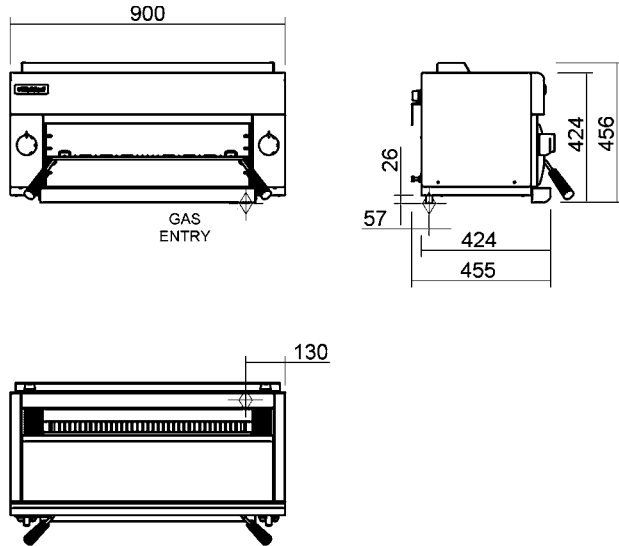
- Access to all parts from front of unit
- Stainless steel and vitreous porcelain enamel surfaces used throughout
- Base removable for easy cleaning

- Powerful infra-red gas burners
 - Left and right individual burner controls
 - Branding plate option
 - Wall mounting bracket
 - Black vitreous enamel finish to front panel
 - Removable base for easy cleaning
-

Waldorf Bold

Gas Salamander 900mm

SNB8200G



SPECIFICATIONS

Burners

2 x 15.5MJ/hr

Gas power (gross)

31.5MJ/hr, 8.75kW

Gas connection

R ½ BSP female, 130mm from right side,
25mm from rear

Dimensions

Width 900mm

Depth 424mm

(455mm with wall mounting bracket)

Height 456mm

Cooking area

Rack size 610mm x 310mm, 1890cm²

Branding Plate 610mm x 310mm, 1890cm²

Nett weight

42kg

Packing data

0.31m³, 69kg

Width 945mm

Depth 520mm

Height 635mm

OPTIONS AT EXTRA COST

100mm high feet for bench mounting

Branding kit - includes one double-sided,
ribbed cast aluminium branding plate

MOFFAT

moffat.com.au
moffat.co.nz

Australia

moffat.com.au

Moffat Pty Limited

Victoria/Tasmania
740 Springvale Road
Mulgrave, Victoria 3170
Telephone +613-9518 3888
Facsimile +613-9518 3833
vsales@moffat.com.au

New South Wales

Telephone +612-8833 4111
nswsales@moffat.com.au

South Australia

Telephone -613-9518 3888
vsales@moffat.com.au

Queensland

Telephone +617-3630 8600
qldsals@moffat.com.au

Western Australia

Telephone 618-9413 2400
wasales@moffat.com.au

New Zealand

moffat.co.nz

Moffat Limited

Rolleston
45 Illinois Drive
Izone Business Hub
Rolleston 7675
Telephone +64 3-983 6600
Facsimile +64 3-983 6660
sales@moffat.co.nz

Auckland

Telephone +64 9-574 3150
sales@moffat.co.nz



ISO9001
Quality
Management
Standard

Designed and manufactured by



ISO9001

All Waldorf Bold products are designed and manufactured by Moffat using the internationally recognised ISO9001 quality management system, covering design, manufacture and final inspection, ensuring consistent high quality at all times.

In line with policy to continually develop and improve its products, Moffat Limited reserves the right to change specifications and design without notice.

© Copyright Moffat Ltd
AN.WBD.S.02.19

an Ali Group Company



The Spirit of Excellence